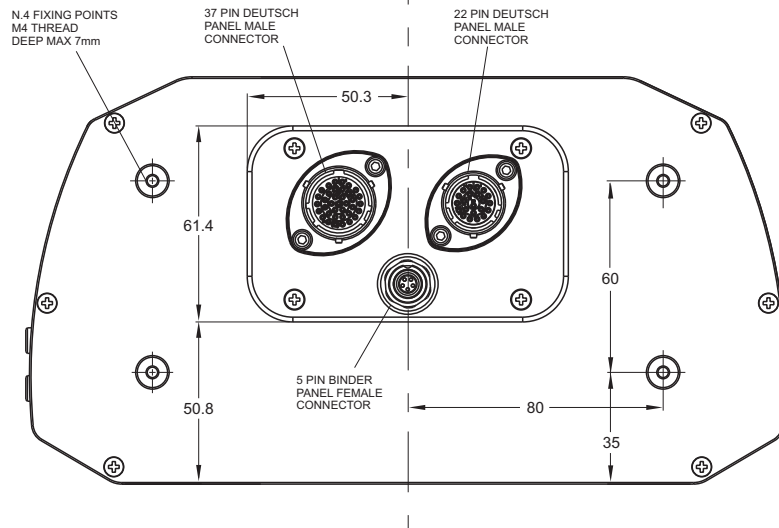
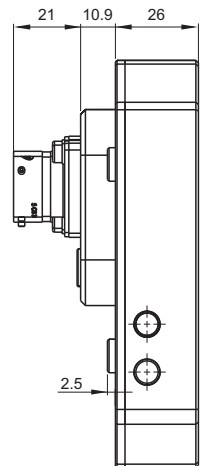
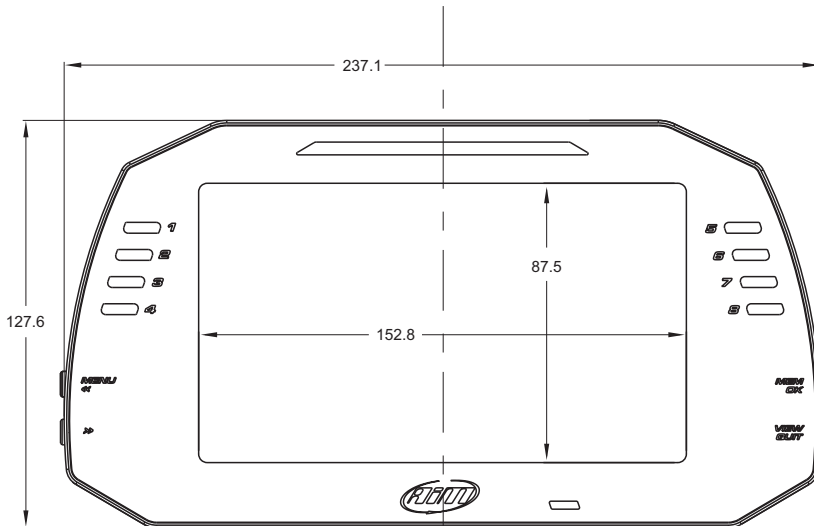
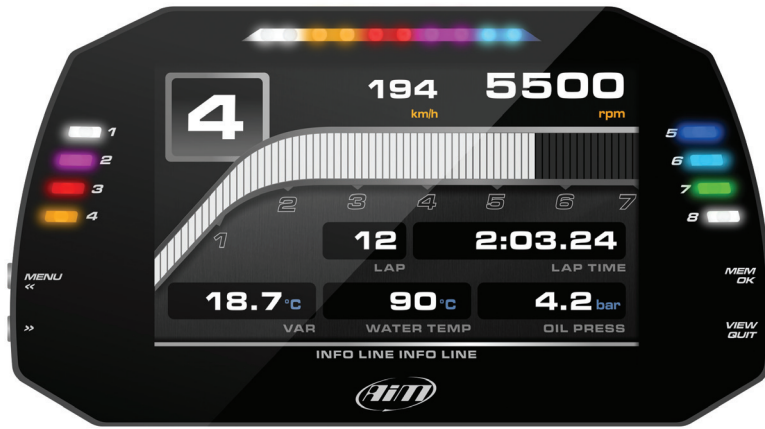




# AiM MXG 1.2

Dash logger





# AiM MXG 1.2

## Dash logger

### Technical specifications

|                             |  |
|-----------------------------|--|
| <b>Display</b>              | 7" TFT   |
| <b>Resolution</b>           | 800x480 pixels   |
| <b>Contrast</b>             | 1000:1   |
| <b>Brightness</b>           | 700cd/m2 - 1,100 Lumen   |
| <b>Ambient light sensor</b> | Yes  |
| <b>Alarm LEDs</b>           | 8 configurable RGB LEDs  |
| <b>Shift Lights</b>         | 10 configurable RGB LEDs   |
| <b>CAN connections</b>      | 3  |
| <b>ECU connection</b>       | CAN, RS232 or K-Line to 1,000+ industry leading ECUs                                   |
| <b>External modules</b>     | GPS Module, Channel Expansion, Thermocouple Expansion, Lambda Controller, SmartyCam HD |
| <b>Analog inputs</b>        | 8 fully configurable, max 1,000 Hz each  |
| <b>Digital inputs</b>       | 4 Speed inputs, lap signal, coil RPM input   |
| <b>Digital outputs</b>      | 2 (1 Amp max each)   |
| <b>Second CAN</b>           | Yes  |
| <b>WiFi connection</b>      | Yes  |
| <b>Inertial platform</b>    | Internal 3 axis $\pm 5G$ accelerometer + 3 axis gyro + 3 axis magnetometer             |
| <b>Internal memory</b>      | 4 GB   |
| <b>Body</b>                 | Anodized Aluminum  |
| <b>Pushbuttons</b>          | Metallic   |
| <b>Connectors</b>           | 2 Motorsport connectors + 1 Binder connector   |
| <b>Dimensions</b>           | 237x127.6x26 mm  |
| <b>Weight</b>               | 950 g  |
| <b>Power consumption</b>    | 400 mA   |
| <b>Waterproof</b>           | IP65   |



# AiM MXG 1.2

## Dash logger

### In the box

MXG 1.2, GPS Module with cable, USB cable, 37 pins standard harness, Race Studio 3 software

### Part numbers

|                       |   |
|-----------------------|---|
| <b>XA4MXG12A13001</b> | MXG 1.2 + GPS Module with 1.3 m cable length              |
| <b>XA4MXG12A40001</b> | MXG 1.2 + GPS Module with 4 m cable length                |
| <b>XA4MXG12A20R01</b> | MXG 1.2 + GPS Module «roof» version with 2 m cable length |
| <b>XA4MXG12A40R01</b> | MXG 1.2 + GPS Module «roof» version with 4 m cable length |

### Spare parts

|                       |                                     |
|-----------------------|-------------------------------------|
| <b>V02573010</b>      | 37 pins standard harness            |
| <b>X40GPS08AM0130</b> | GPS Module with 1.30 m cable length |
| <b>X40GPS08AM0400</b> | GPS Module with 4.00 m cable length |
| <b>V02573200</b>      | USB adapter                         |
| <b>X90TMPC002</b>     | USB cable                           |

### Optionals

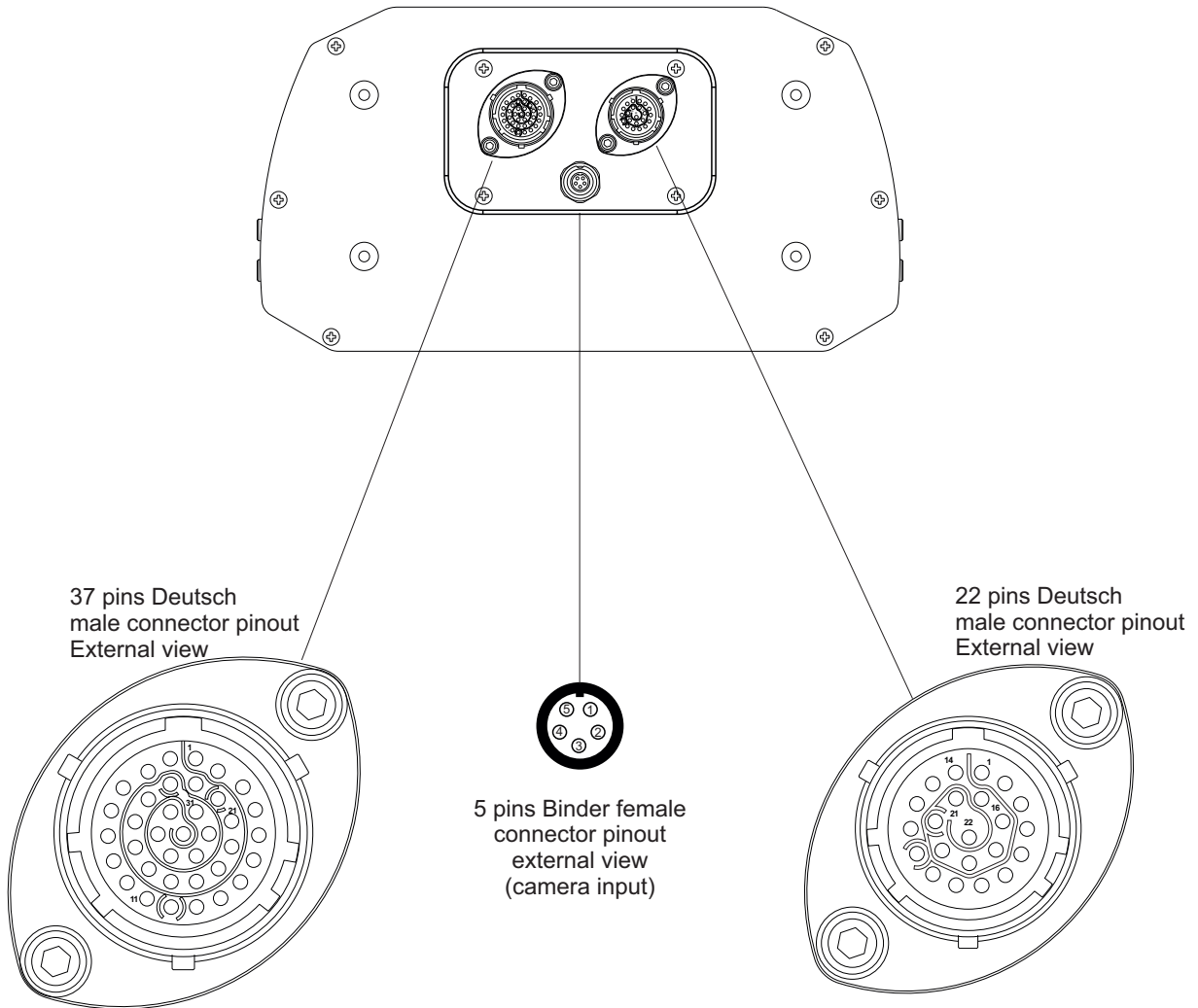
|                  |                                      |
|------------------|--------------------------------------|
| <b>V02573020</b> | 22 pins harness                      |
| <b>V02573080</b> | 22 pins harness with 1 thermocouple  |
| <b>V02573160</b> | 22 pins harness with 2 thermocouples |
| <b>V02573040</b> | 37 pins harness with 1 thermocouple  |
| <b>V02573050</b> | 37 pins harness with 2 thermocouples |
| <b>5CN822F00</b> | 22 pin female Deutsch connector      |
| <b>5CN837F00</b> | 37 pin female Deutsch connector      |



# AiM MXG 1.2

## Dash logger

### Pinout



| Pin | Deutsch 37 pin    |
|-----|-------------------|
| 1   | 9-15V Power input |
| 2   | Battery GND       |
| 3   | CAN+ Exp          |
| 4   | GND               |
| 5   | +Vbattery CAN     |
| 6   | CAN- Exp          |
| 7   | +Vb Ext           |
| 8   | CAN1+ ECU         |
| 9   | CAN 1- ECU        |
| 10  | GND               |
| 11  | K Line ECU        |
| 12  | USB D+            |
| 13  | USB D-            |
| 14  | GND               |
| 15  | RPM               |
| 16  | GND               |
| 17  | +Vbattery         |
| 18  | Optical Lap       |
| 19  | Speed1            |

| Pin | Deutsch 37 pin |
|-----|----------------|
| 20  | GND            |
| 21  | +Vbattery      |
| 22  | Analog Input 1 |
| 23  | Analog GND     |
| 24  | +Vbattery      |
| 25  | +Vreference    |
| 26  | Analog Input 2 |
| 27  | Analog GND     |
| 28  | +Vbattery      |
| 29  | +Vreference    |
| 30  | Analog Input 3 |
| 31  | Analog GND     |
| 32  | +Vbattery      |
| 33  | +Vreference    |
| 34  | Analog Input 4 |
| 35  | Analog GND     |
| 36  | +Vbattery      |
| 37  | +Vreference    |

| Pin | Binder            |
|-----|-------------------|
| 1   | Video input 1     |
| 2   | GND               |
| 3   | +Vb output Camera |
| 4   | GND               |
| 5   | Video input 2     |

| Pin | Deutsch 22 pin   |
|-----|------------------|
| 1   | Analog Input 5   |
| 2   | Analog GND       |
| 3   | +Vbattery        |
| 4   | +Vreference      |
| 5   | Analog Input 6   |
| 6   | Analog Input 7   |
| 7   | Analog GND       |
| 8   | +Vbattery        |
| 9   | +Vreference      |
| 10  | Analog Input 8   |
| 11  | Speed 2          |
| 12  | GND              |
| 13  | +Vbattery        |
| 14  | Speed 3          |
| 15  | Speed 4          |
| 16  | GND              |
| 17  | CAN2+ ECU        |
| 18  | CAN2- ECU        |
| 19  | Digital output 1 |
| 20  | Digital output 2 |
| 21  | ECU RS232 Rx     |
| 22  | ECU RS232 Tx     |



# AiM MXG 1.2

## Dash logger

### Product history

| Rev | From<br>serial number | Date          | Changes |
|-----|-----------------------|---------------|---------|
| --  | <b>4202384</b>        | Jul, 3rd 2018 | --      |