

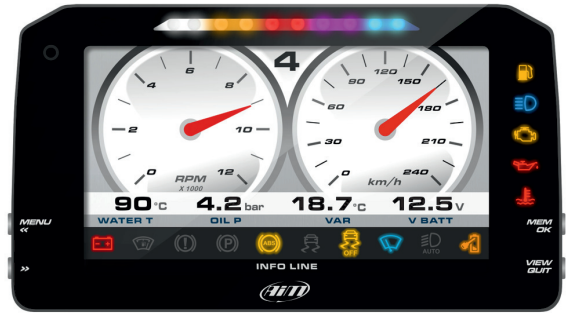


# AiM MXP Strada

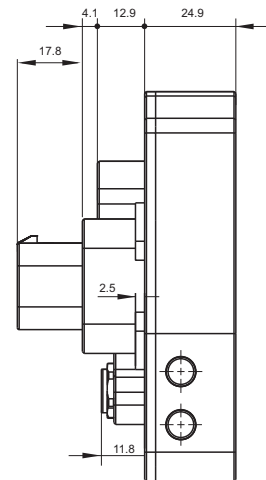
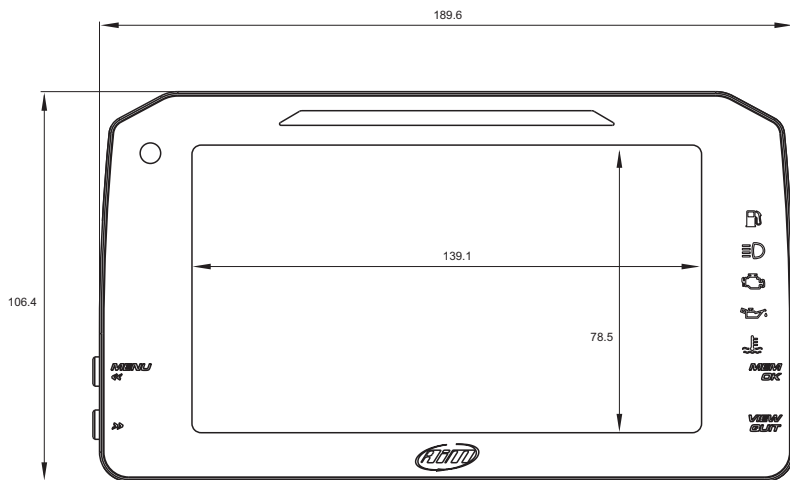
## TFT Dash



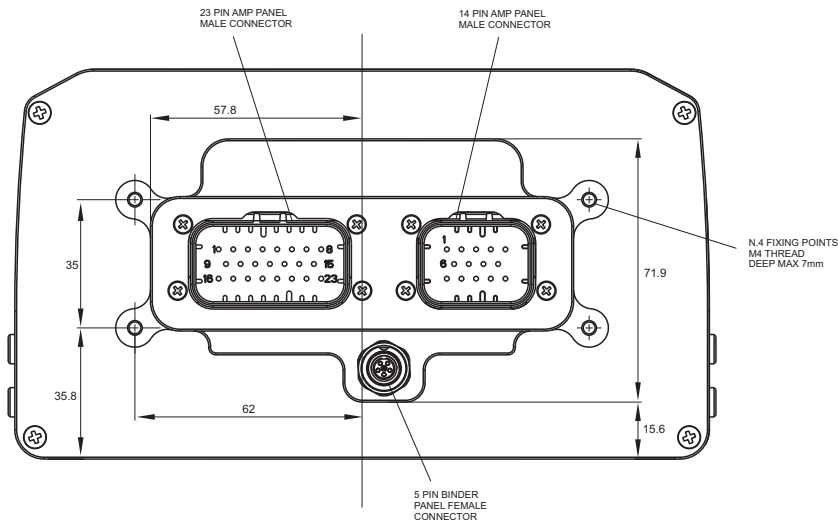
Standard version



Street icons version



37 PIN DEUTSCH  
PANEL MALE  
CONNECTOR





# AiM MXP Strada

## TFT Dash

### Technical specifications

<b>Display</b>	6" TFT
<b>Resolution</b>	800x480 pixels
<b>Contrast</b>	600:1
<b>Brightness</b>	700cd/m2 - 1,100 Lumen
<b>Ambient light sensor</b>	Yes
<b>Alarm display icons</b>	Yes, freely configurable
<b>Shift Lights</b>	10 integrated freely configurable RGB LEDs
<b>Alarm LEDs</b>	5 integrated freely configurable RGB LEDs
<b>CAN connections</b>	3
<b>ECU connection</b>	CAN, RS232 or K-Line
<b>ECU compatibility</b>	1,000+ industry leading ECUs
<b>Expansion CAN connection</b>	GPS Module, Channel Expansion, Thermocouples expansions, Lambda Controller, SmartyCam HD
<b>Analog inputs</b>	8 fully configurable, max 1,000 Hz each
<b>Digital inputs</b>	1 Speed input, coil RPM input
<b>Digital outputs</b>	1 (1 A max)
<b>Second CAN</b>	Yes
<b>Body</b>	Anodized Aluminum
<b>Pushbuttons</b>	Metallic
<b>Connectors</b>	2 AMP connectors
<b>Dimensions</b>	189.6 x 106.4 x 24.9 mm
<b>Weight</b>	640 g
<b>Power consumption</b>	400 mA
<b>Waterproof</b>	IP65

### Part numbers

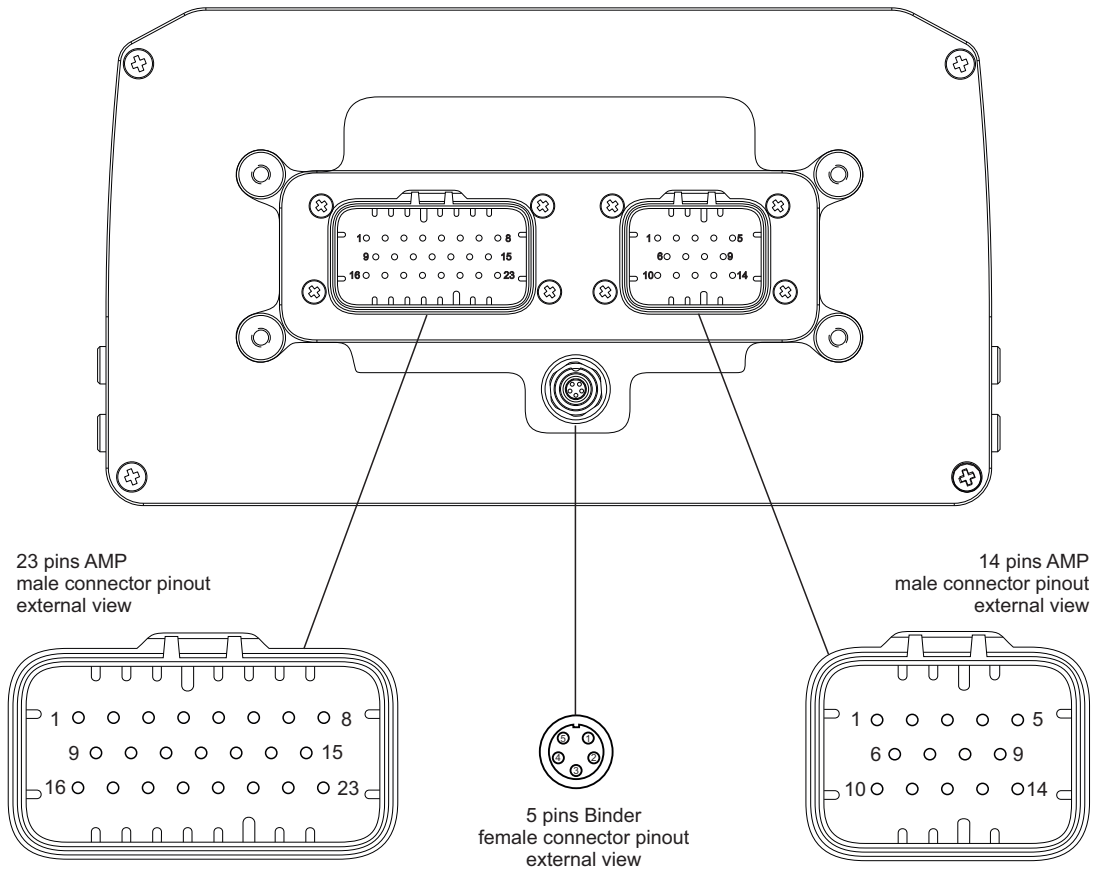
<b>XA5MXPSTRA010</b>	MXP Strada with CAN harness (ECU)
<b>XA5MXPSTRA020</b>	MXP Strada with OBD harness CAN+K (ECU)
<b>XA5MXPSTRI010</b>	MXP Strada Street icons version with CAN harness (ECU)
<b>XA5MXPSTRI020</b>	MXP Strada Street icons version with OBD harness CAN+K (ECU)



# AiM MXP Strada

## TFT Dash

### Pinout



Pin	AMP 23 pin
1	Analog Input 1
2	Analog GND
3	+Vb output
4	+Vreference
5	Analog Input 2
6	Analog Input 3
7	Analog GND
8	+Vb output
9	+Vreference
10	Analog Input 4
11	Analog Input 4
12	Analog GND
13	+Vreference
14	Analog Input 6
15	Analog Input 7
16	+Vreference
17	Analog Input 8
18	Speed input
19	Ground
20	Low Side output
21	RPM input
22	CAN2+
23	CAN2-

Pin	Binder
1	Video input 1
2	GND
3	+Vb output Camera
4	GND
5	Video input 2

Pin	AMP 14 pin
1	9-15 V Power input
2	Battery Ground
3	CAN+ Exp
4	Ground
5	+Vb out CAN
6	CAN- Exp
7	+Vb ext CAN
8	CAN1+/ECU RS232TX
9	CAN1- /ECU RS232RX
10	K Line ECU
11	USB D+
12	USB D-
13	USB Ground
14	Ignition input