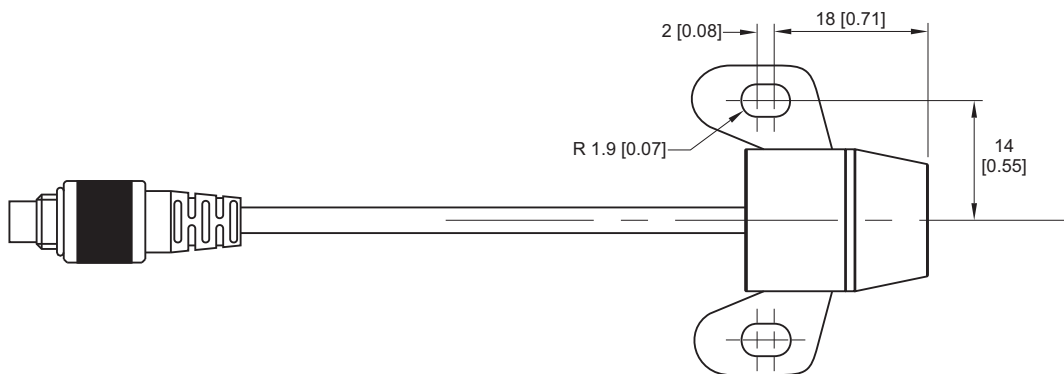
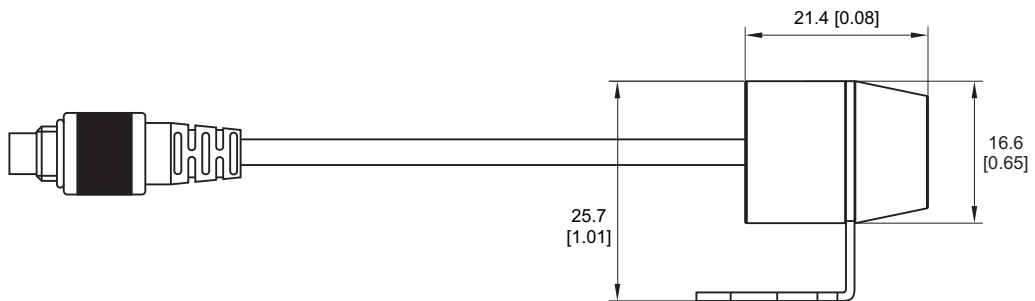




Rear camera

Add-on for MX 2nd gen. Series





Rear camera

Add-on for MX 2nd gen. Series

Technical specifications

Optical format	1/4 inch color CMOS
TV system	NTSC
H-FOV	170°
Pixel array	648 (H) x 488 (V)
Frame rate	60 fps
Temperature	-30/80 °C

Part numbers

XB1ZCAMHD00	Mirror camera
V02573390	Single RearMaster mirror camera patch cable
V02573400	Double RearMaster mirror camera patch cable
V02551170	Single AiM mirror camera patch cable
V02573410	Double AiM mirror camera patch cable



Rear camera

Add-on for MX 2nd gen. Series

Pinout

